

# Technical data OMS escalator machine EC 2-15.1

( Technical changes reserved – 10-2019 )



## Gear :

input-torque, max. :  $T_{max.} = 150 \text{ Nm}$   
input revolution :  $n = 1000, 1200 \text{ or } 1500 \text{ min}^{-1}$   
efficiency :  $\eta_{nom} = \geq 96 \%$   
starting efficiency :  $\eta_{start} = \geq 90 \%$   
average oil temperature rise :  $T = 30 - 35 \text{ K}$  above ambient temperature  
oil operating time up to :  $t = 40.000 \text{ h}$   
oil quantity

toothing : life time durability  
bearing life time: 146.000 h  
with equivalent loading:  $P_{equiv.} = 0,78$  of nominal motor power  
ISO TS 16281:2008

noise pressure level (1000  $\text{min}^{-1}$ ) :  $L_{rPA} \leq 60 \text{ dB(A)}$  (25% load at  $P_{max} 15 \text{ kW}$ ) /  
motor mains-operated  
dependent on performance and application

gear ratios :  $i = 19,96 / 25,30 / 31,58^*$   
for escalator speed :  $v = 0,5$  up to  $0,75 \text{ m/s}$

version : Single- and Duplex-units for chain-driving  
suitable for driving escalators and moving walkways

position at machine room : left or right side  
(seen from the lower landing platform)

satisfied safety requirements : DIN EN 115-1:2017 and ASME A17

## Motors :

3 phase asynchronous motor, 4 or 6-poles, IP 55,  
integrated fan, suitable for frequency inverter operation  
 $9,5$  to  $15 \text{ kW}$  @  $1000 \text{ min}^{-1}$   
 $9,5$  to  $18,6 \text{ kW}$  @  $1500 \text{ min}^{-1}$   
 $9,5$  to  $15 \text{ kW}$  @  $1200 \text{ min}^{-1}$   
motor protection : bimetal-switch  
frequency: 50 Hz or 60 Hz  
type : frame size 160-225; type vertical v1  
motor-nominal torque :  $T_{nom}$  to 150 Nm

**Brake:** double circuit safety brake  
braking torque : free adjustable up to  $\leq 2,4^* T_{nom}$

## Chain wheel:

version : duplex or triplex,  
size : 1 1/4", 1 1/2"

standard : DIN 8187 / 8188 (ANSI)

## Dimension:

see dimensioned drawing, total height A according to motor type

## Machine monitoring:

optionally for: brake function monitor  
brake lining wear monitor  
vibration measuring sensors  
oil bath  
oil: temperature, level

## Safety sensors :

optionally for: machine none reversing detection (NDR)

\*limited to 9-15kW

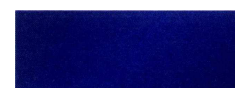
# Technical data OMS escalator machine EC 2-15.1

( Technical changes reserved – 10-2019 )



## Dimensioned drawing EC 2-15.1

<b>OMS Hypodrive</b>		
<b>Version :</b>		<b>EC 2-15.1</b>
version left		7002 0131
version right		7002 0132
Version duplex		7002 0135
gear ratio		19,96 ; 25,30 ; 31,58
input - torque, max.	Nm	150
dimension:	mm	See dimension drawing
A,max. ***)		Depends from power, max992mm
B		Depends from chain wheel
C		Single max 757mm
D		Depends from chain wheel
E		Duplex max 809mm



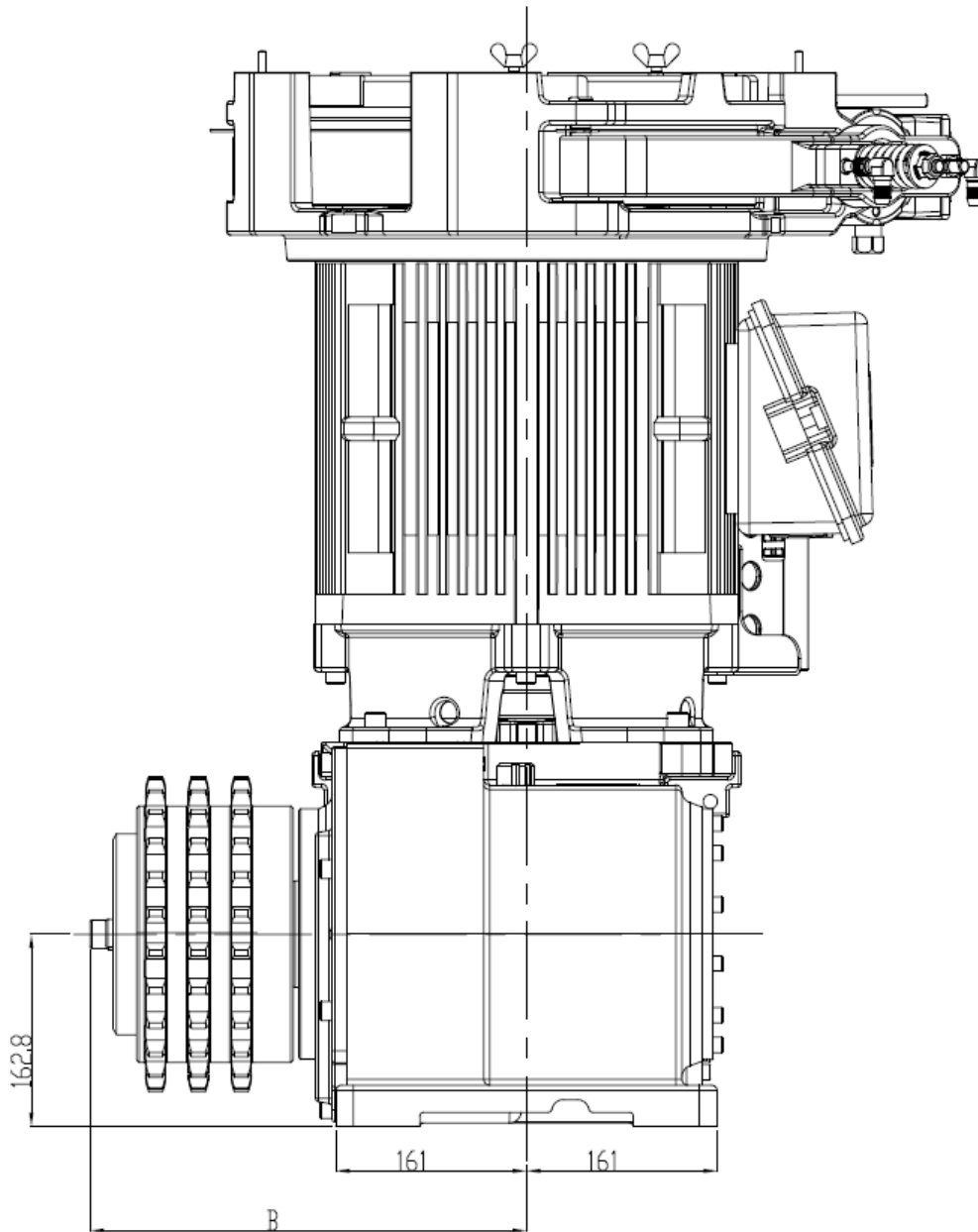
# Technical data OMS escalator machine EC 2-15.1

(Technical changes reserved – 10-2019)



ANTRIEBSTECHNIK

## Left version



Front view

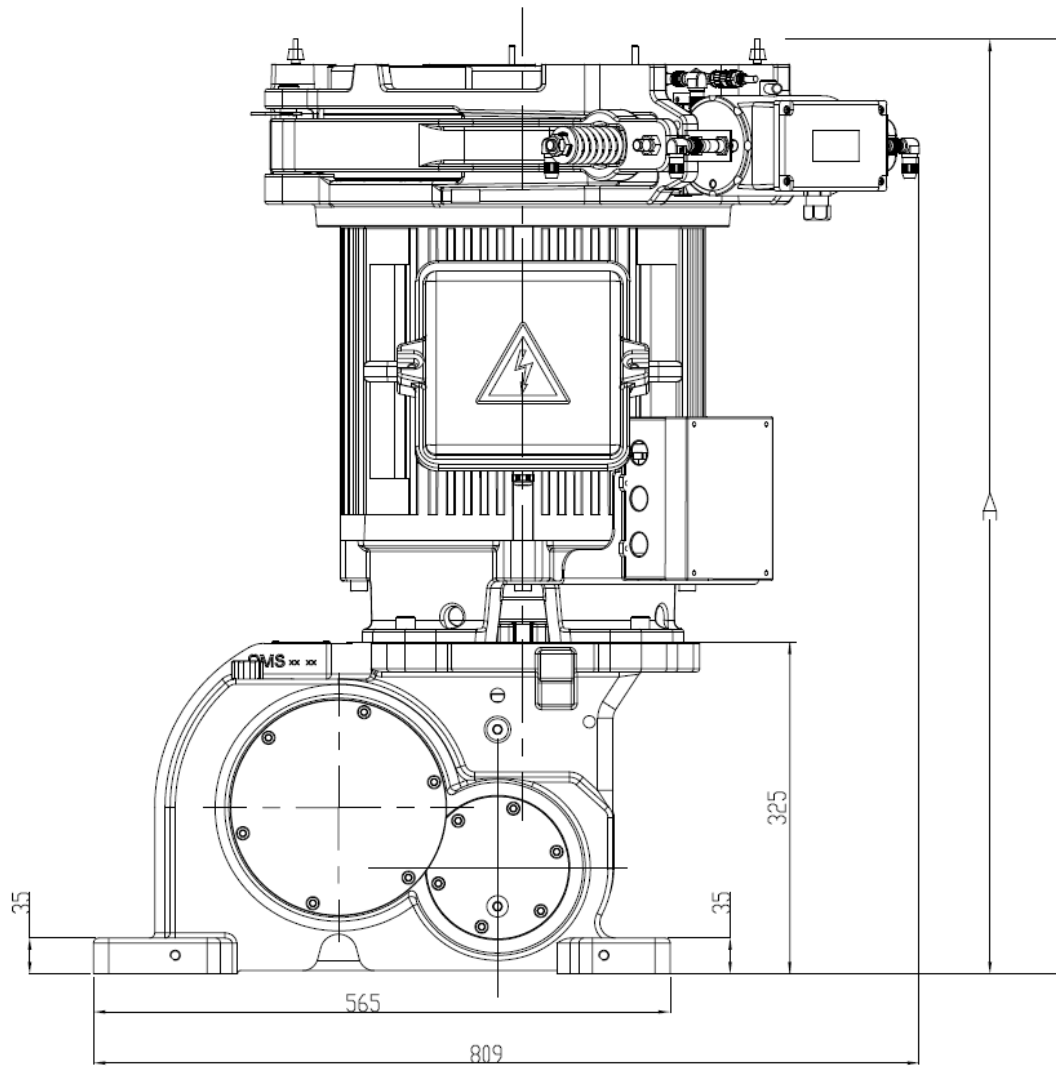


# Technical data OMS escalator machine EC 2-15.1

( Technical changes reserved – 10-2019 )



ANTRIEBSTECHNIK



Side view

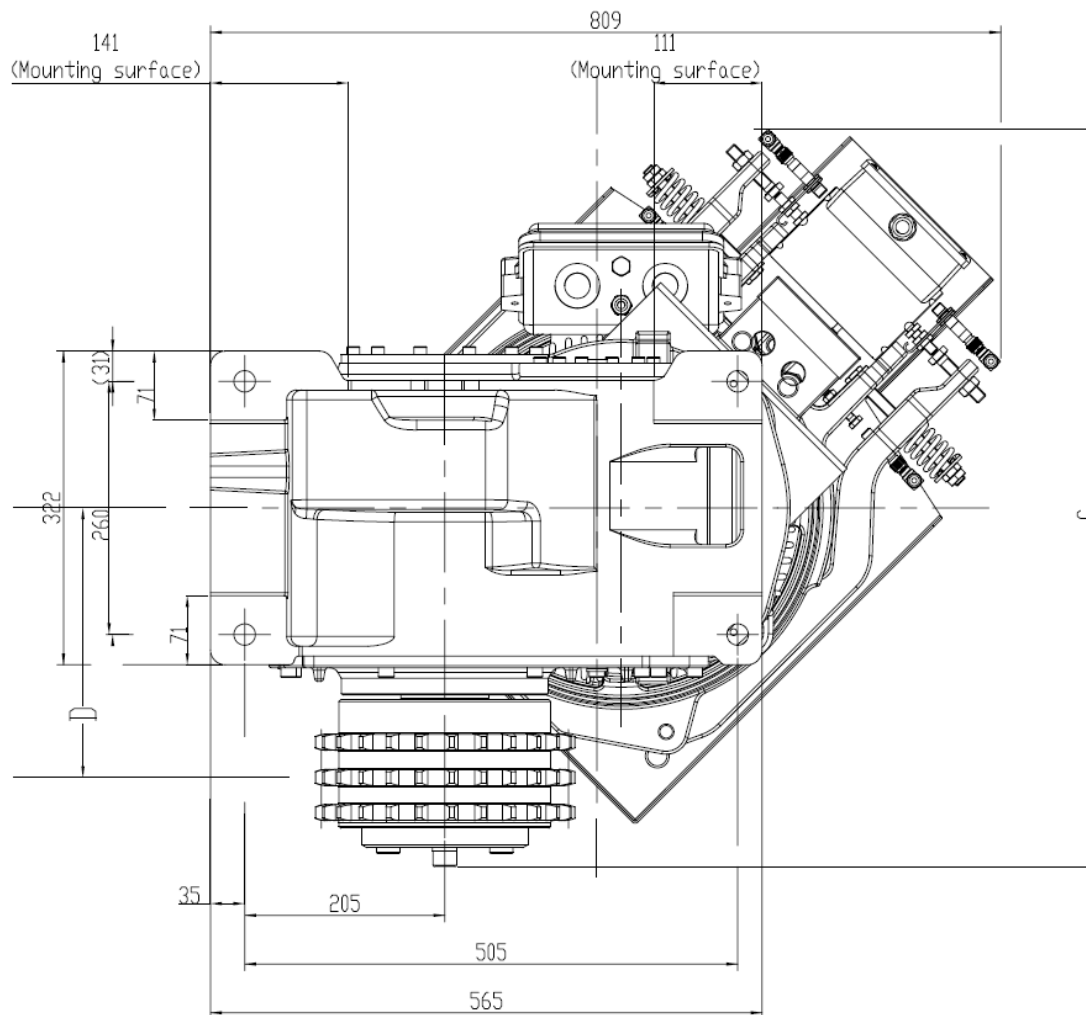


# Technical data OMS escalator machine EC 2-15.1

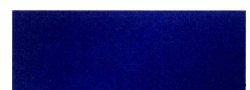
(Technical changes reserved – 10-2019)



ANTRIEBSTECHNIK



Bottom view



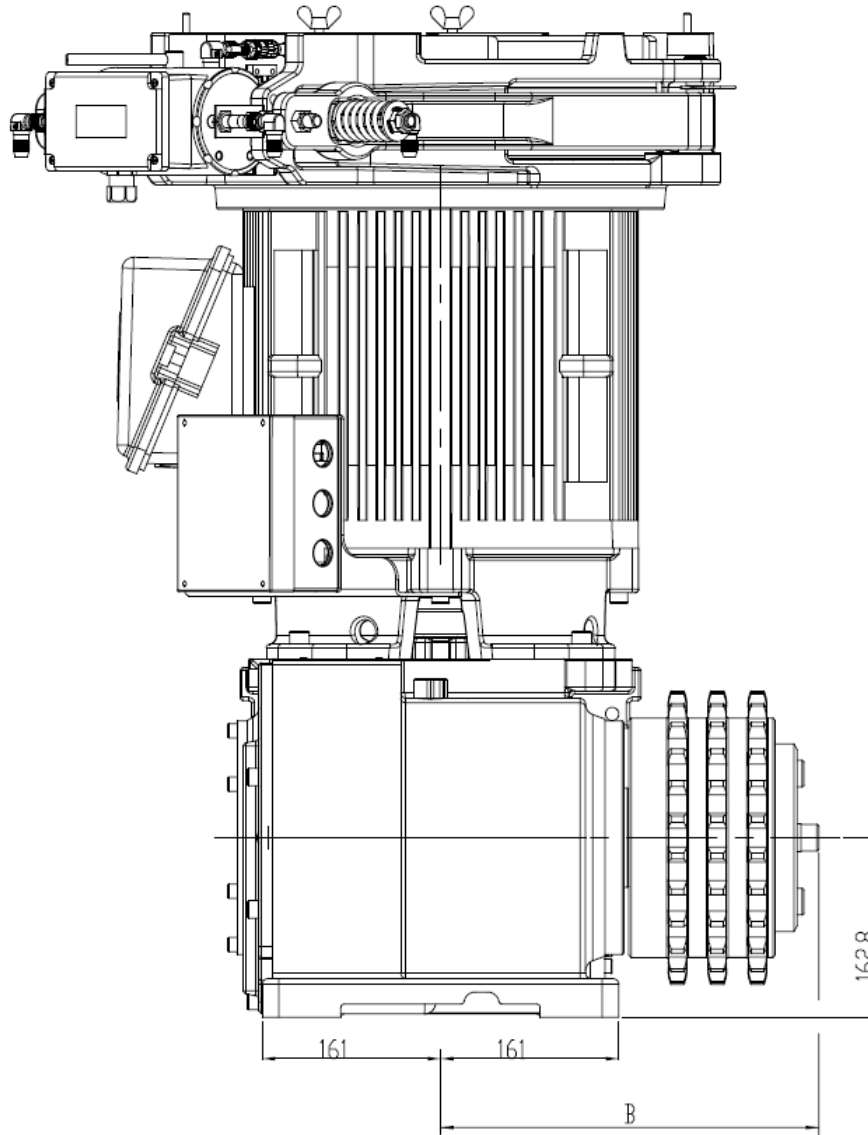
# Technical data OMS escalator machine EC 2-15.1

( Technical changes reserved – 10-2019 )



ANTRIEBSTECHNIK

## Right version



Back view

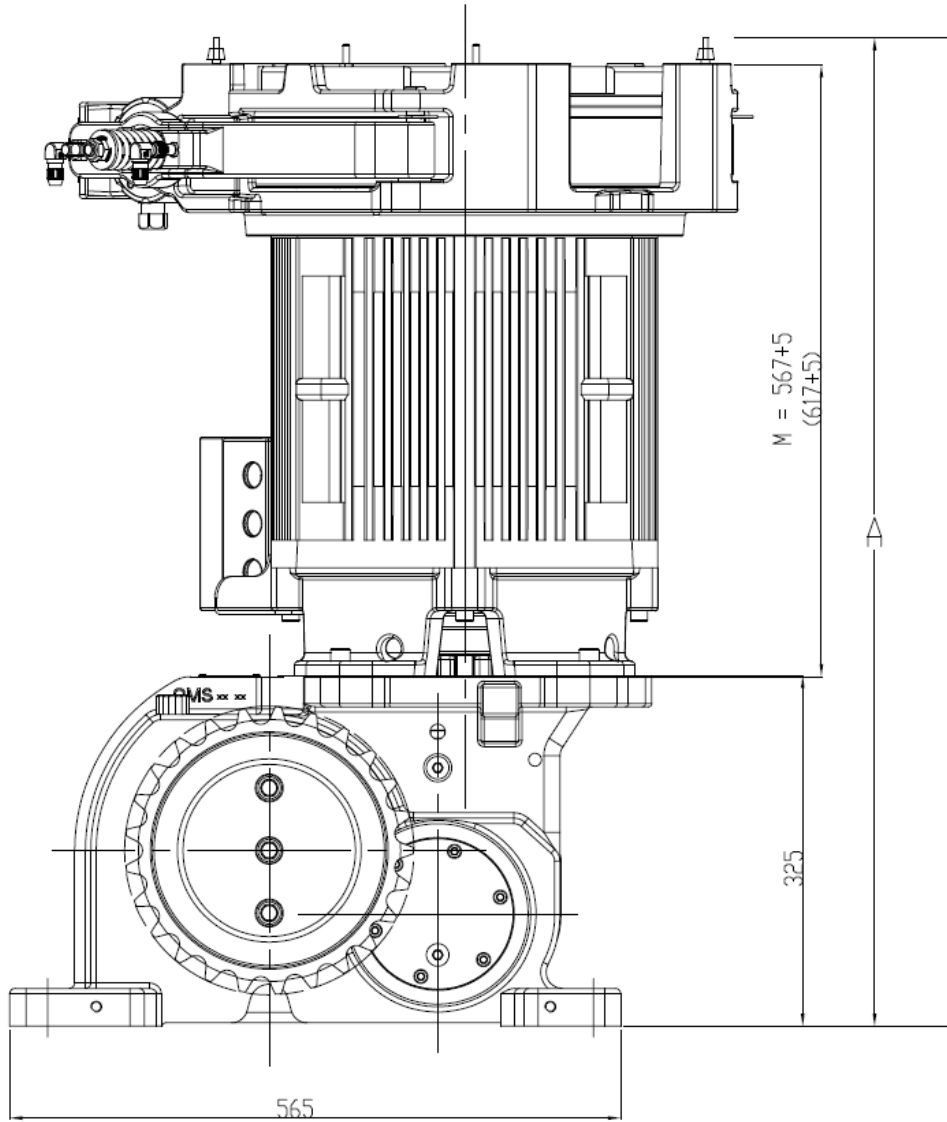


# Technical data OMS escalator machine EC 2-15.1

(Technical changes reserved – 10-2019)



ANTRIEBSTECHNIK



Side view

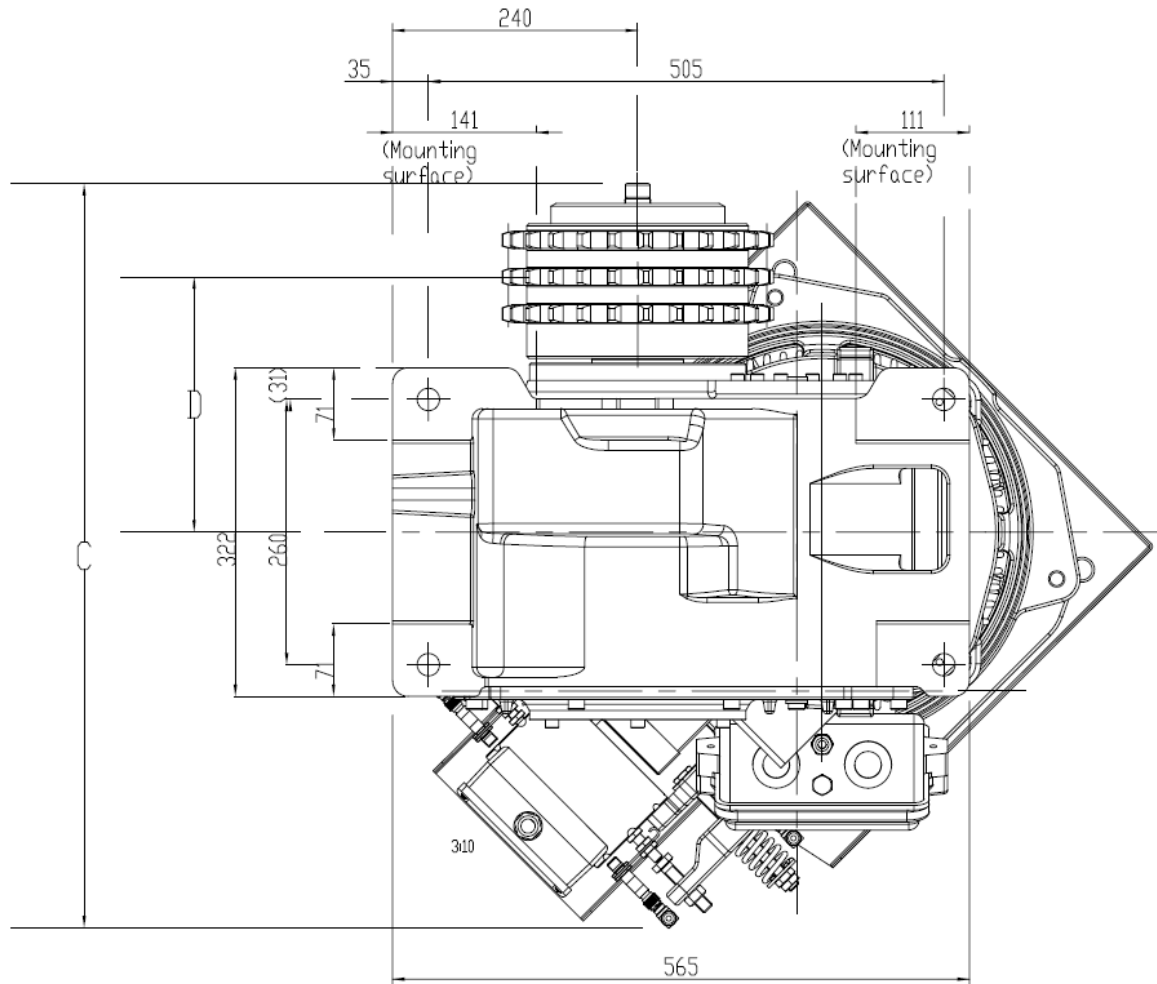


# Technical data OMS escalator machine EC 2-15.1

(Technical changes reserved – 10-2019)



ANTRIEBSTECHNIK



Bottom view





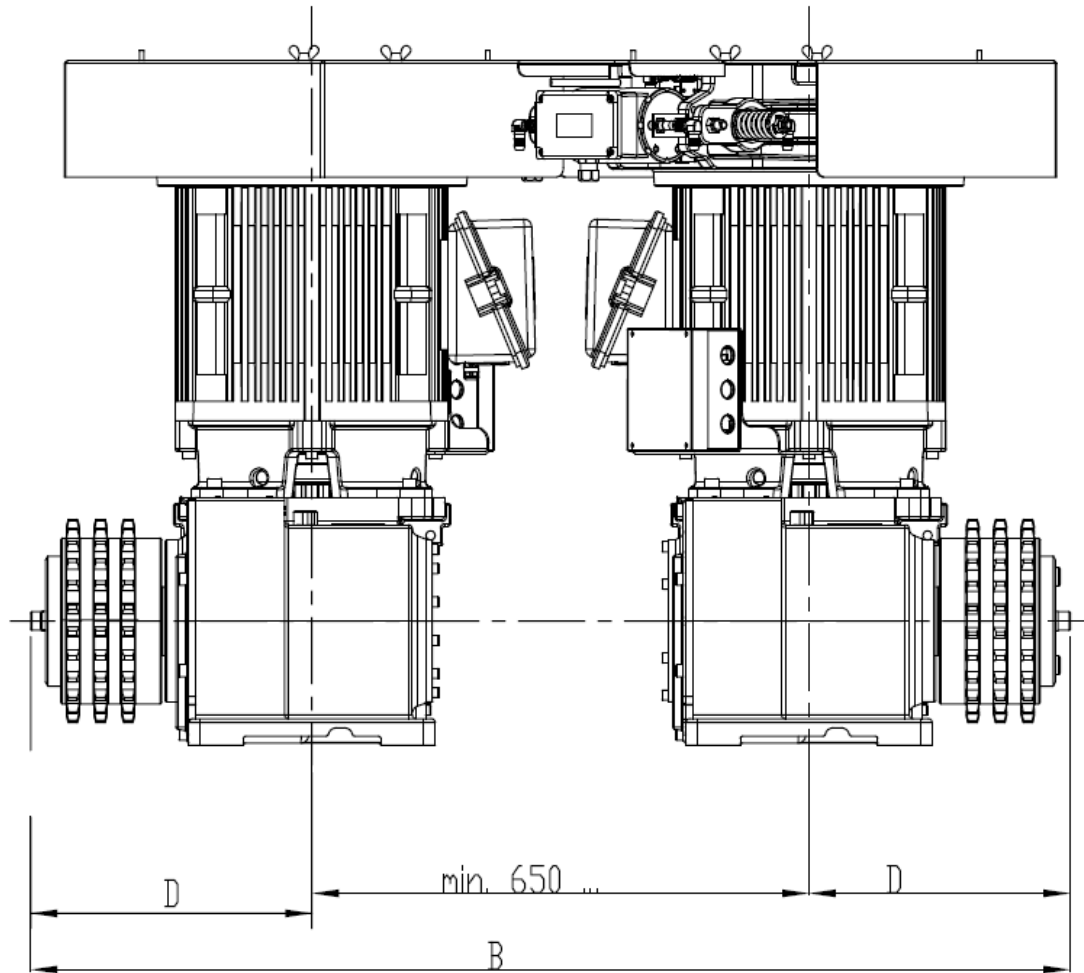
# Technical data OMS escalator machine EC 2-15.1

(Technical changes reserved – 10-2019)



ANTRIEBSTECHNIK

Duplex version



Front view

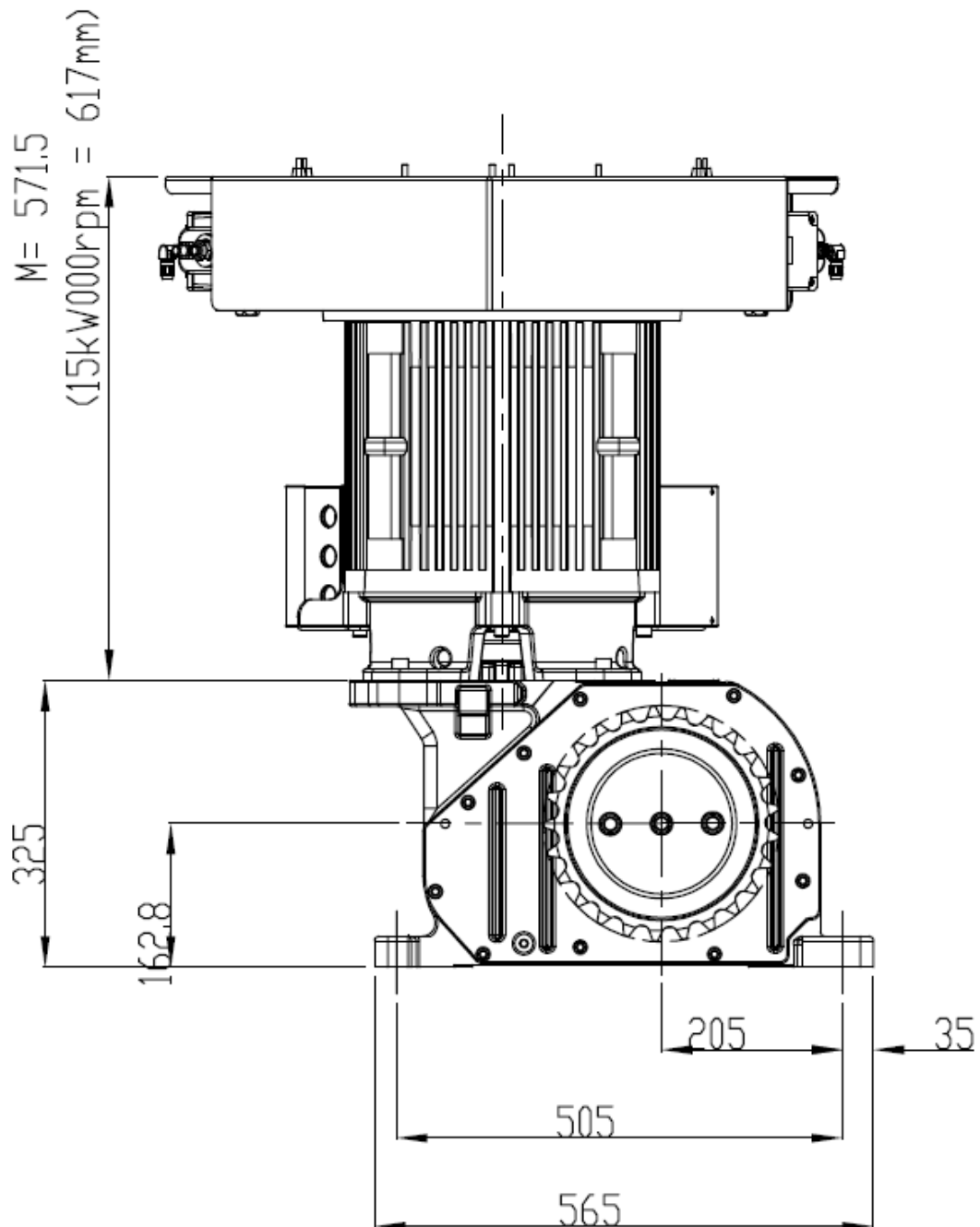


# Technical data OMS escalator machine EC 2-15.1

(Technical changes reserved – 10-2019)



ANTRIEBSTECHNIK

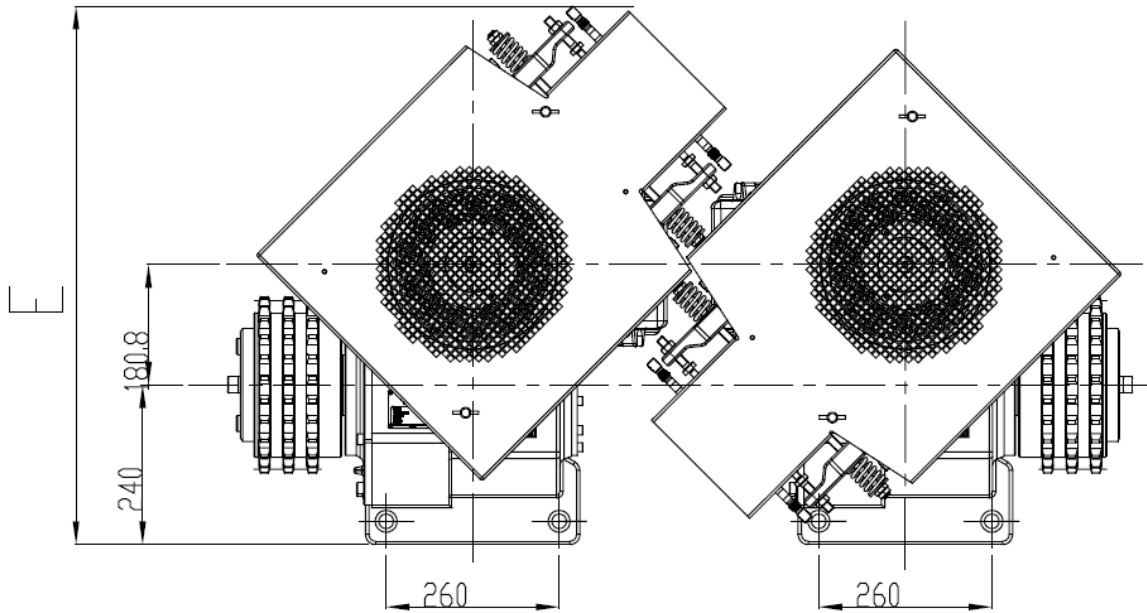


Side view



# Technical data OMS escalator machine EC 2-15.1

(Technical changes reserved – 10-2019)



Top view

