

Technical Data OMS – Elevator Machine AZHP 3



(Technical changes reserved – Last Changes 05/2017)

Gearbox :

Input-Revolution, max.:

$n_{max} = 2000 \text{ min}^{-1}$

efficiency:

$\eta_{nom} = > 96 \%$

typical backlash range :

4' to 8' (arc. minutes)

sound pressure level ($n \leq 1.500 \text{ min}^{-1}$ / 15kW Motor):

$L_{p,A} = 61 \text{ dB(A)*}$, AZHP 3 LD / HD

sound pressure level ($n \leq 1.500 \text{ min}^{-1}$ / 20kW Motor):

$L_{p,A} = 60 \text{ dB(A)*}$, AZHP3 HD+

* typical, measured on OMS power load brake in acoustic chamber driven by frequency inverter, load and

		Application						
		2 : 1		1 : 1			2 : 1	
			HD		HD	HD+	HD	HD
car suspension								
gear ratio	i	18,99	18,99	36,85	36,85	36,85	13,57	24,68
input-torque, max.	T	150 Nm	150 Nm	100 Nm	100 Nm	138 Nm	150 Nm	150 Nm
output shaft max. torque	T	2800 Nm	2800 Nm	3700 Nm	3700 Nm	4900 Nm	2000Nm	3700Nm
max.axle torque	F	37 kN	53 kN	40 kN	53 kN	65 kN	50 kN	53 kN
for car load up to	Q	2000 kg	2000 kg	1050 kg	1300 kg	1600 kg	1600 kg	2500 kg
for car speed up to	v	2 m/s						

speed corresponding to constant travel speed. Depending on the construction, these values may vary.

Motor:

(for frequency converter use only)

Three phase - Induction -Motor:

4-pols, IP 54, motor protection: PTC, integral fans,

Model / diameter B:

Model: 132 / B = 260; Model: 160 / B = 315

motor-nominal torque up to:

T = 118 Nm

Incremental encoder:

HTL, TTL, Sinus

Brake:

Twin Circuit Double Stroke Expanding Magnet, single or tandem operation.

Drive Sheave:

diameter:

D = 320, 400, 450, 500, 560, 650 mm *)

diameter max. :

D = 720 mm

weight:

G = 34, 37, 46, 52, 59, 86 kg *)

width:

C = 112 mm *), F = 235mm

125 mm (only by dia. Ø 320mm) *)

rope diameter:

$D_s = 10, 11 \text{ mm} *$)

number of cables:

n = 4 - 7 *)

*) options upon request

Dimensions: total height A according to motor dimensions: (weight of drive, all inclusive without traction sheave):

Motor Model	P _{nenn} kW	T _{nenn} N	n _{nenn} min ⁻¹	f Hz	A mm	G kg
132	7,5	41,4	1740	60	1017	307
132	7,5	63,4	1145	40	1047	317
132	11	60,7	1745	60	1047	317
160	15	69,4	2070	70	1136	357
160	13	84,7	1465	50	1136	357
160	12	98,0	1170	40	1136	386
160	17	92,0	1765	60	1136	386
160	20	92,3	2070	70	1136	386
160	14,5	118	1170	40	1164	402
160	20,5	111	1765	60	1164	402

Other Dimensions: Please refer to the Dimensions Sheet

Technical Data OMS – Elevator Machine AZHP 3

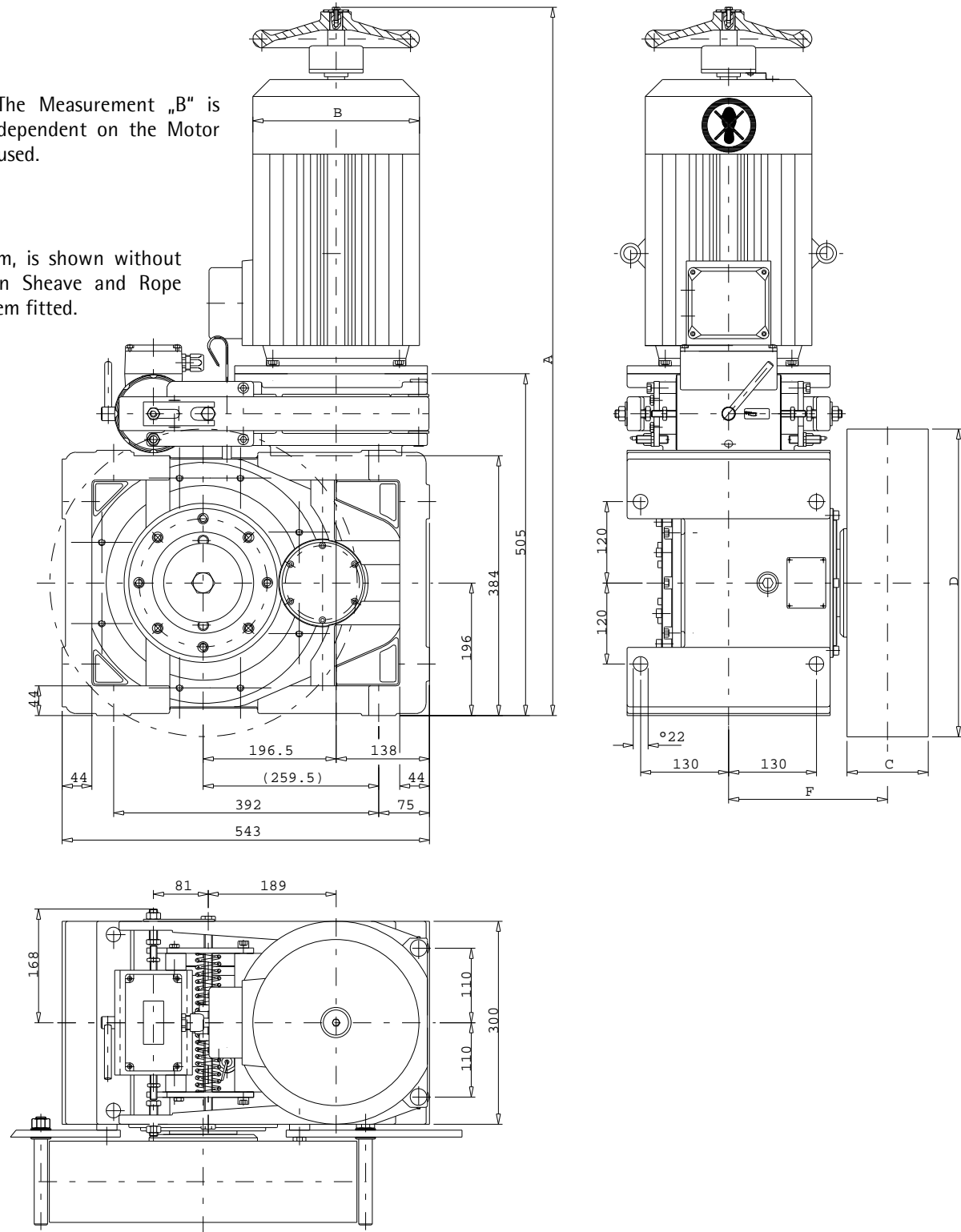
Motor Alignment Version A

(Technical changes reserved - Last Change 05/2017)



The Measurement „B” is dependent on the Motor used.

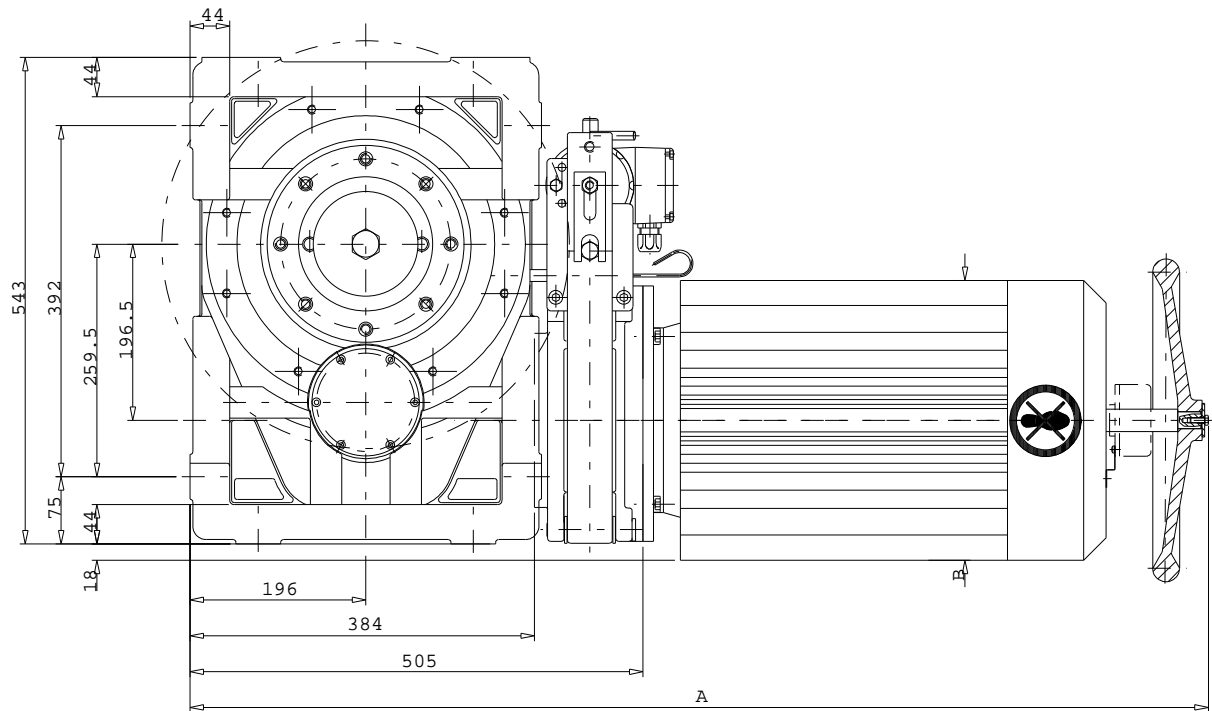
This diagram, is shown without the Traction Sheave and Rope Safety System fitted.



Technical Data OMS – Elevator Machine AZHP 3

Motor Alignment Version A3

(Technical changes reserved - Last Change 05/2017)



Technical Data OMS – Elevator Machine AZHP 3

Motor Alignment Version B

(Technical changes reserved - Last Change 05/2017)

