

DATA SHEET OMS – ELEVATOR MACHINE AZHP 2



(Technical changes reserved – Last Changes 05/2017)

Gear:

input-revolution, max.: $n = 1800 \text{ min}^{-1}$
 efficiency: $\eta_{\text{nom}} = > 96 \%$
 typical backlash range : 4 to 8 arc. minutes
 sound pressure level ($n \leq 1500 \text{ min}^{-1}$ / 7,5kW Motor): $L_{p,A} = 60 \text{ dB(A)}^*$

* typical, measured on OMS power load brake in acoustic chamber driven by frequency inverter, load and speed corresponding to constant travel speed. Depending on the construction, these values may vary.

car suspension	2:1		1:1	
Gear ratio	18,99	24,68	28,43	36,94
output shaft max. torque	1500Nm	1700 Nm	2000 Nm	2500 Nm
max. axle weight	42 kN		42 kN	42 kN
for car load up to	1600 kg		900 kg	1000 kg
for car speed up to:	2 m/s			

Motor :

(for frequency converter only)
 three phase induction motor: 4-pole, IP 54, motor protection: PTC,
 type / diameter B / dimension type: 112 / B = 220 type: 132 / B = 246
 motor nominal torque up to: $T_{\text{r,nom}} = 51,4 \text{ Nm}$
 encoder: HTL, TTL, sine

Brake:

2-circle safety disc brake

Traction sheave:

diameter: $D = 320, 400, 450, 500, 560, 650 \text{ mm}^*$
 diameter max. : $i = 36,94 > 650\text{mm}$; $i = 28,43 > 560\text{mm}$

weight:

$G = 34, 37, 46, 52, 59, 86 \text{ kg}^*$

width:

$C = 112 \text{ mm}^*$, $F = 176^*$
 125mm, (nur bei Drm. 320 mm) *)

rope diameter:

$D_s = 10 \text{ mm}^*$

numbers of ropes :

$n = 4 - 6^*$

*) options upon request

Dimension:

total height A according to motor dimension:
 (weight of drive, all inclusive without traction sheave):

Motor Typ	P_{nenn} kW	T_{nenn} Nm	n_{nenn} min^{-1}	f Hz	A mm	A1 mm	G kg
112	4,2	22,3	1725	60	871	1018	196
112	3,8	32,4	1120	40	891	1038	201
112	5,5	30,5	1725	60	891	1038	201
112	7,5	41,4	1730	60	988	1135	212
132*	5,5	36,5	1440	50	933	1080	239
132*	7,5	49,8	1440	50	933	1080	239
132*	5,0	51,4	930	33	933	1080	239
132	9,0	49,6	1735	60	976	1123	228

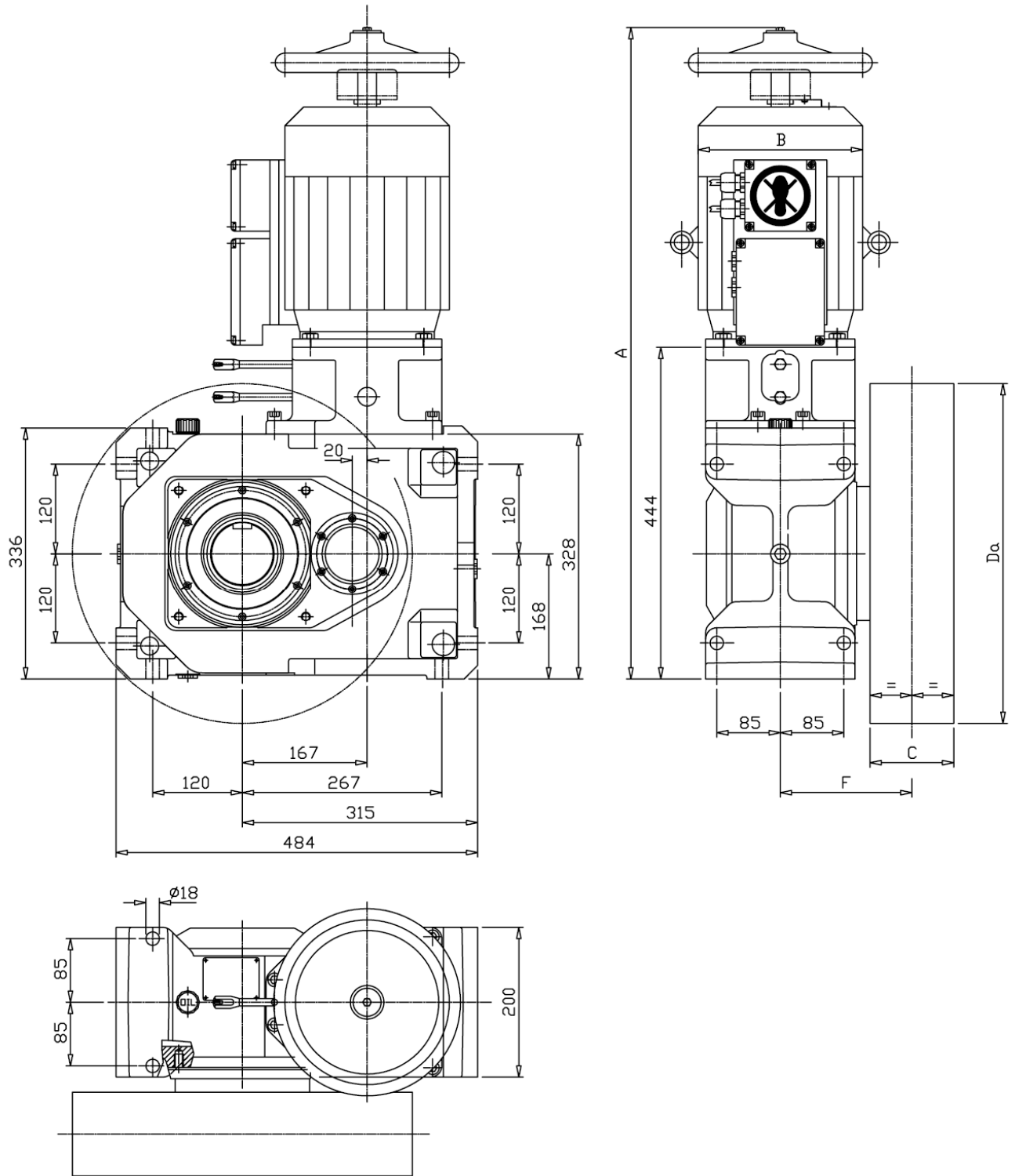
Annotation : Length A by version A and B
 Length A1 by version C

* fan less motor

DIMENSION SHEET OMS – ELEVATOR MACHINE AZHP 2

Motor Configuration Version A

(Technical changes reserved – Last Changes 05/2017)



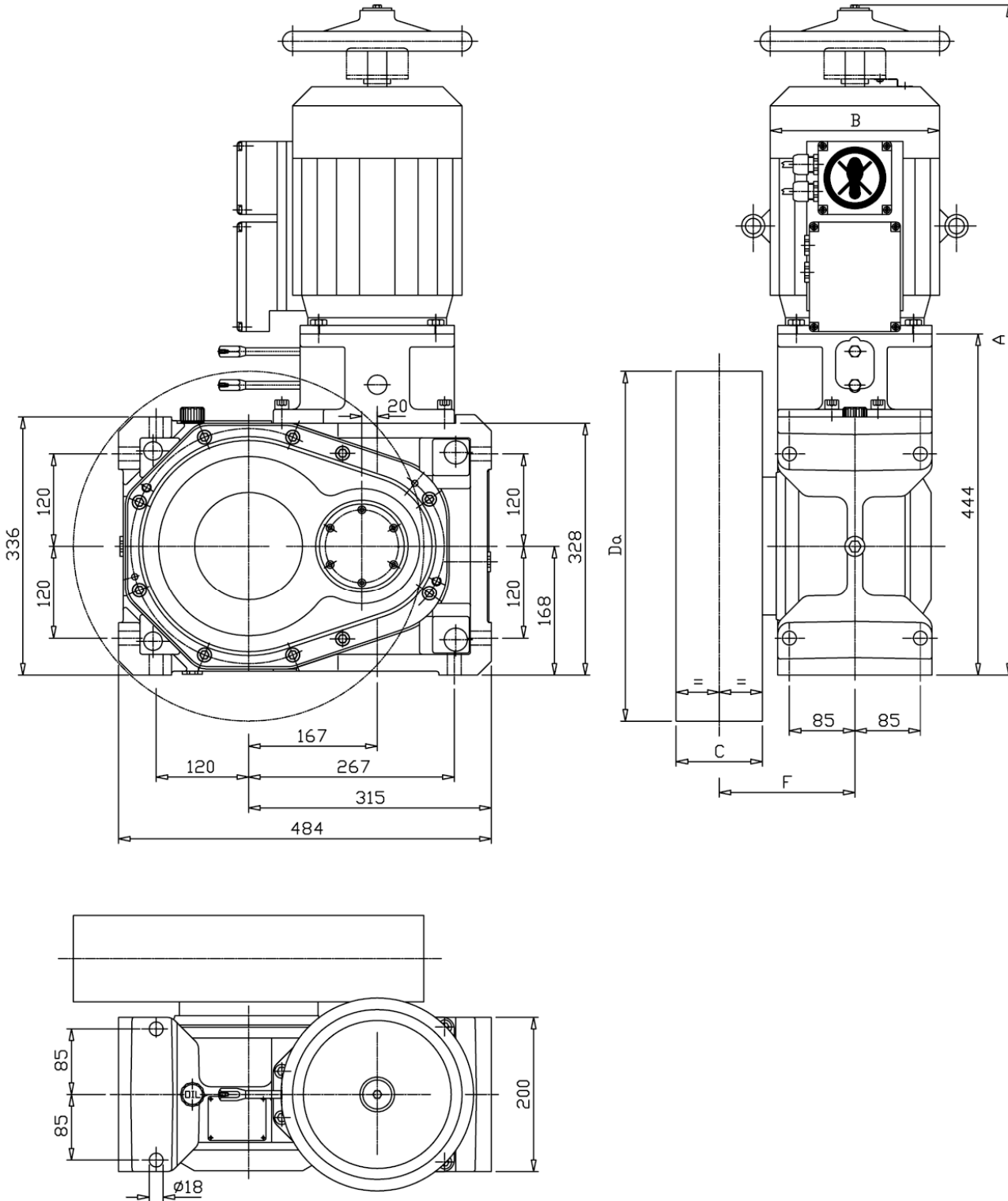
DATA SHEET OMS – ELEVATOR MACHINE AZHP 2

Motor Configuration Version B

(Technical changes reserved – Last Changes 05/2017)



ANTRIEBSTECHNIK



DIMENSION SHEET OMS – ELEVATOR MACHINE AZHP 2

Motor Configuration Version C

(Technical changes reserved – Last Changes 05/2017)



ANTRIEBSTECHNIK

